

# HEMOMATIK Sweden

Liquid Level Switch, SUS-316

Art.nr. SUB-V28X-3M

Pendant switch with protection weight

Drawing nr.

Rev.

Approved A.N. 240416

Scale 1:1

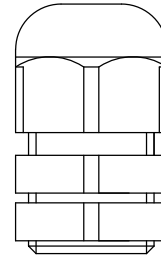
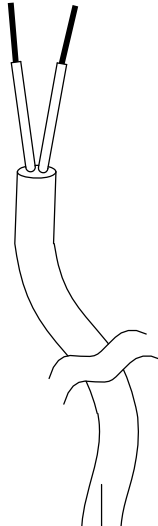
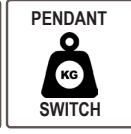
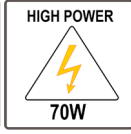
Submersible PUR-cable

Date 240416

Sign. AN

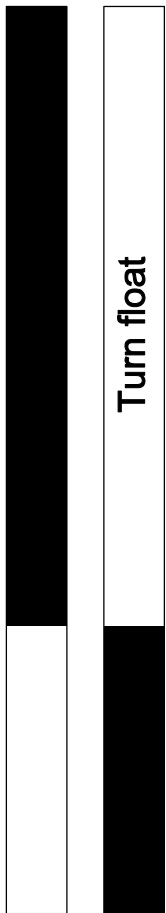
Rev. date

## SUBVAKT

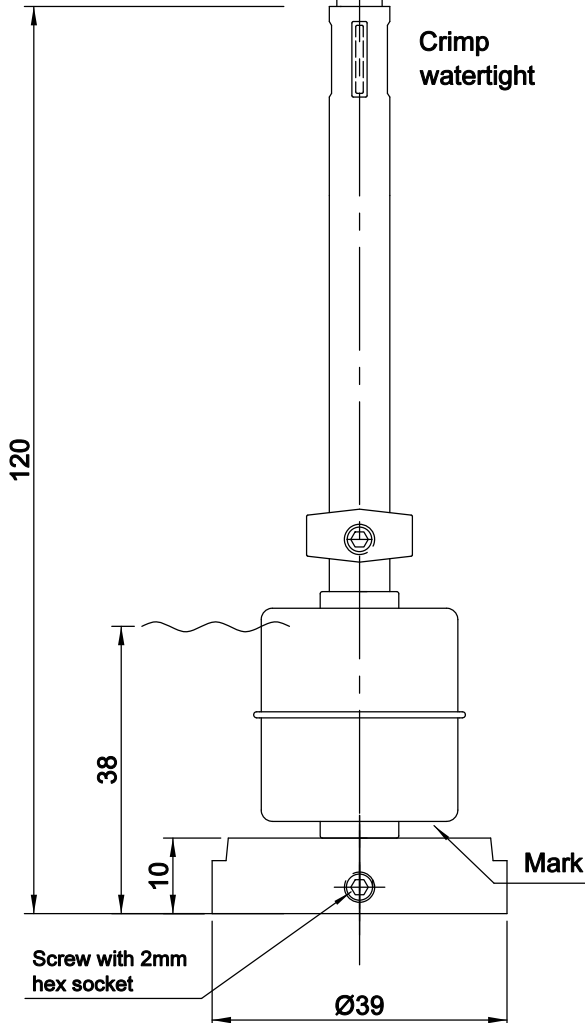


Incl. M16 fitting, for cable or probe mounting

NO mark down NC mark up



Turn float



### FEATURES

Float liquid level sensor with submersible cable. REED-technology without own power consumption.

### MATERIALS

Full INOX: All metal parts in SUS-316  
 Probe: Ø8x120mm, SUS-316  
 Float Ø28mm: SUS-316, density 0,75  
 M16 fitting and nut: PA6  
 Protection weight: SUS-316  
 Temp. -20...+85°C

Cable: 3m PUR, 2x 0,50mm<sup>2</sup>  
 Other cable length on request (KABL500)

### CONTACT FUNCTION

NO= Open contact at low level, close rising  
 Turn the float to invert the signal to NC

### PROTECTION DEGREE

IP68, submersible max 30m

### ELECTRICAL DATA

Contact rating *	70 VA
max voltage	3-48V
max current	1,5 A

\* = resistive load

■ = Switch closed

□ = Switch open