

CL-PROBE

Capacitive Level Probe, 4-20mA

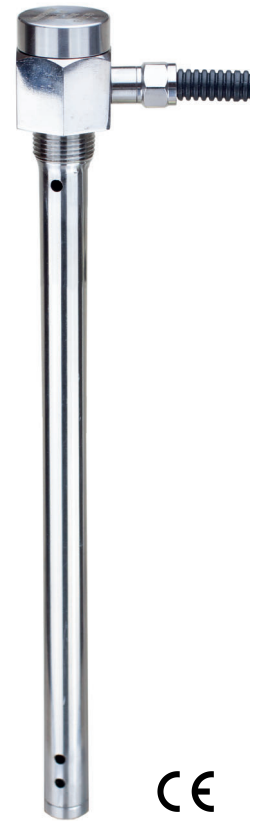
- Automatic self calibration
- Robust compact housing in stainless steel
- High impact and vibration resistance
- Low power consumption
- High measurement accuracy

Description

CL-PROBE is a capacitive level sensor based on RF capacitive measurement technology and tomographic analysis. The sensor continuously analyzes various parameters in the medium and performs automatic and precise compensations. It provides a measuring output signal linearly to the liquid level. The sensor operates using the latest technology and is fully digital, with no need for AD conversion. It features automatic self calibration with no manual adjustment required and is unaffected by temperature drift or variations between different liquids. CL-PROBE offers very high resolution and measurement accuracy. The design can also handle viscous liquids, lighter material buildup and disturbances caused by foam formation. In addition, the sensor has very strong immunity to electrical interference and can withstand high voltage sparks of up to 20,000 V for 30 seconds.

Application

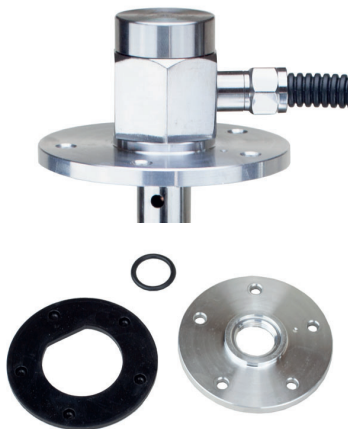
CL-PROBE is suitable for precision liquid level measurement across a wide range of industries and applications. The sensor is primarily intended as an oil level sensor for the automotive industry, vehicles and stationary tanks. Beyond oil level measurement, the sensor is also suitable for a wide range of other liquids, including water based and weak corrosive fluids.



HM 2603



Data

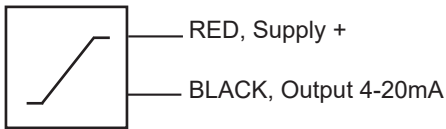


Aluminum flange and gaskets are included in the delivery, providing two different mounting options.

Art No	CLP-xxxAA
Probe length (xxx)	200, 250, 300, 400mm *
Power supply	10...30 VDC
Output	4-20mA 2-wire (others on request)
Accuracy	±1,5% (>300mm 1%)
Resolution	0.01mm
Response time	1.5s
Temp. ambient	-35...70°C
Temp. media	-50...150°C
Probe diameter	Ø16mm
Pressure range	-1...3 bar
Material	Stainless steel
Cable	1m PVC with protective hose
Installation way	M20×1.5 or 5-hole flange Al

* Other probe length on request m.o.q. 5pcs

Wiring



Calibration

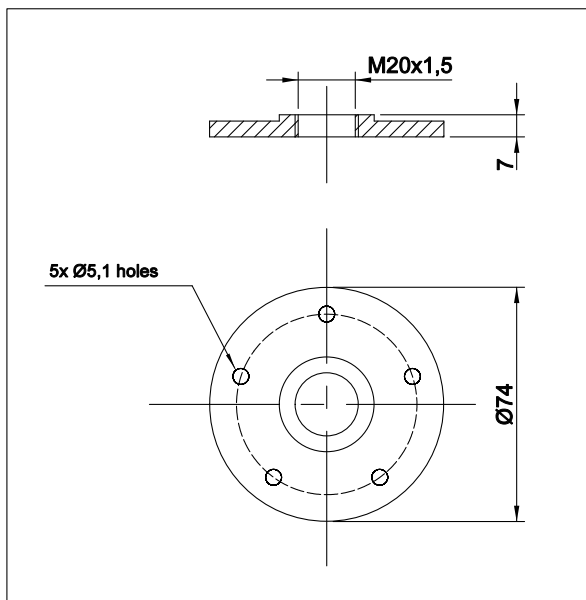
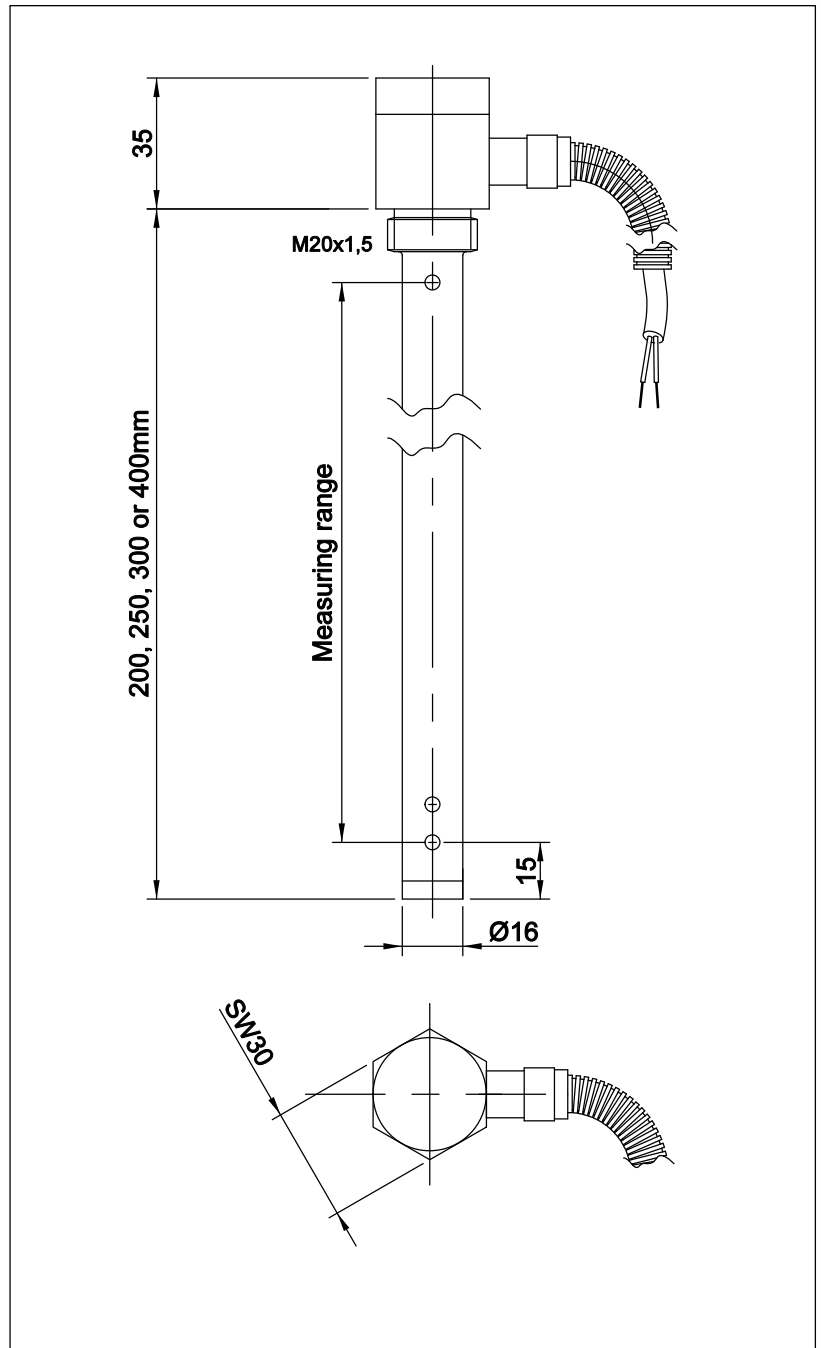
CL-PROBE is controlled by a micro-processor and have automatic self calibration. In most cases, the sensor can be used directly for measuring standard media without any manual calibration. But if calibration is required, do this:

With the sensor turned on, slowly lower it into the liquid.

Allow the liquid level to rise slowly and gradually until it reaches the top hole of the probe. This completes the calibration process.

To prevent calibration errors, this procedure should be repeated at least twice.

Drawing



Option

Art No: **DW-AC-E4**
M12 pigtail connector (field attached)

