

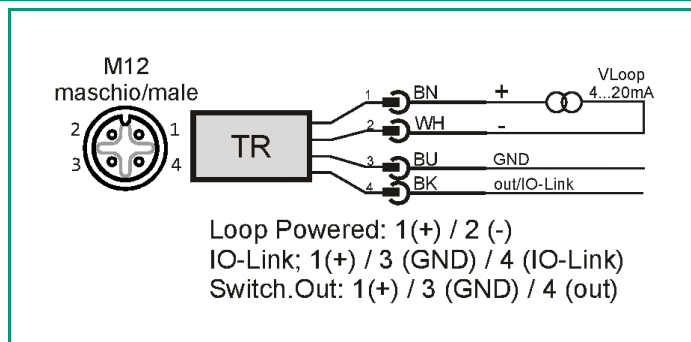
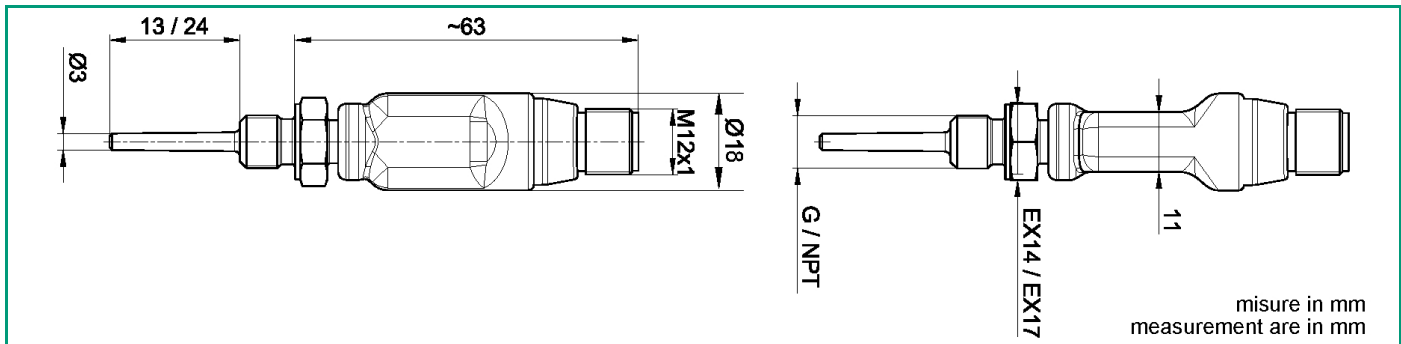
IOTP

Rev. 7 - 14/10/2025

EVOMINI IOTP

Temperature transmitter with IO-Link interface, integrated probe and process connection

Can be configured in three operating modes: IO-Link, 4-20mA loop powered and switching output with alarm thresholds (SIO). Moulded body with M12 output connector and IP67 protection degree. G1/8" threaded connection fitted as standard, suitable for temperature measurement in fluids up to 110°C.



TECHNICAL SPECIFICATION

Ambient temperature	-40 ÷70°C
Storage temperature	-40 ÷70°C
Operating humidity	0 ÷100%
Operating Voltage	18÷30 Vdc reverse polarity protection (IO-Link operating mode) 8÷32 Vdc reverse polarity protection (Loop Powered operating mode)
Current consumption	0.65 W (IO-Link operating mode) 0.8 W (SIO operating mode)
Input/Output insulation	None
Sensor input signal filter (*) (*) time to reach 90% of signal	Configurable from 0.1s to 3.7s
Output signal type	Configurable between: 4÷20mA analogue signal; IO-Link; switching PNP or NPN output (SIO);
Permitted load	727Ω @ 24 Vdc [Rload= (Vpw. - 8) / 0,022] (Loop Powered operating mode)
Sensor break or short-circuit monitoring	In accordance with NAMUR NE43, selectable between: Upper scale (≥ 21.0 mA) Lower scale (≤ 3,6 mA) (Loop Powered operating mode)
Communication interface	IO-Link Vers. 1.1 (COM2 - 38,4Kbaud) Class A port M12x1 - 4 pos. A-coded
IO-Link Smart Sensor Profile (2nd ed.)	In accordance with SSP type 3.1
Switching output (*) (*) SIO operating mode	NO/NC programmable, PNP/NPN Overload and short circuit protection Hysteresis or window function Maximum current: 150mA Programmable output activation/deactivation delay RGB LED for output status signaling (configurable color for OFF state and ON state)
Display elements (*) (*) IO-Link operating mode	Green color LED (IO-Link), RGB LED with configurable color (Locator), RGB LED with configurable color (SIO)
Temperature influence (*) (*) deviation from 20°C	Maximum value between ±0,3°C/25°C and ±0,3% of span/25°C (Loop powered operating mode) ±0,3°C/25°C (IO-Link and SIO operating mode)
Long-term stability	Maximum 0.1% of span per year
Linear error	Negligible
Sensor error compensation	Offset or over two points
EMC	In accordance with EN 61326-1 (CE) In accordance with BS EN 61326-1 (UKCA)
Measurement range	-50 ÷110°C
Accuracy (*) (*) @25°C	Maximum value between ±0.15K and ±0.15% of span (Loop Powered operating mode) ±0.1K (IO-Link operating mode)
Connection body material	THERMOPLASTIC
Type of connector	Male 4-pin connector with M12x1 metal screw lock (in accordance with IEC 61076-2-101 STANDARDS)
Stem length L	24 mm 13 mm
Sheath diameter d	Ø 3,5 tapered conic to Ø 3 mm
Sheet material	AISI 316L
Pt100 sensor accuracy	Class A up to 300°C in accordance with IEC 751
Response time (*) (*) test in water in accordance with IEC 751. Time taken to reach 63.2% of temperature step	< 3,5 seconds
Process connection (*) (*) Thread STANDARDS (CYL. GAS in accordance with UNI-ISO 228) (CON. GAS in accordance with UNI-ISO 7-1) (NPT in accordance with ANSI B 1.20.1)	1/8" GAS CIL. sec. UNI-ISO 228 1/4" GAS CIL 1/8" NPT 1/4" NPT
Maximum working pressure (*) (*) unless otherwise specified, it refers to room temperature	PN 100 BAR
Vibration resistance	In accordance with IEC 60068-2-6,10 g

TECHNICAL SPECIFICATION

International protection marking (*) (* According to IEC 60529)	IP67
Programming	With any IO-Link programming platform and the relative master.
Option	On request adjustment on 1 or 2 points
Factory default	Loop powered operating mode: (4±20)mA output / Range 0÷100°C / Sensor break ≥21mA / Sensor short-circuit ≤3.6mA Switching output operating mode (SIO): PNP type output with hysteresis function NO, SP=80°C, RSP=70°C, no delay, output status signaling: LED color red

ORDER CODES

IOTP X

Process connection

1/8" GAS CIL. Ø3 L= 13mm	01
1/8" GAS CIL. Ø3 L= 24mm	02
1/8" NPT Ø3 L= 13mm	05
1/8" NPT Ø3 L= 24mm	06
1/4" GAS CIL. Ø3 L= 13mm	0D
1/4" GAS CIL. Ø3 L= 24mm	0E
1/4" NPT Ø3 L= 13mm	0B
1/4" NPT Ø3 L= 24mm	0C