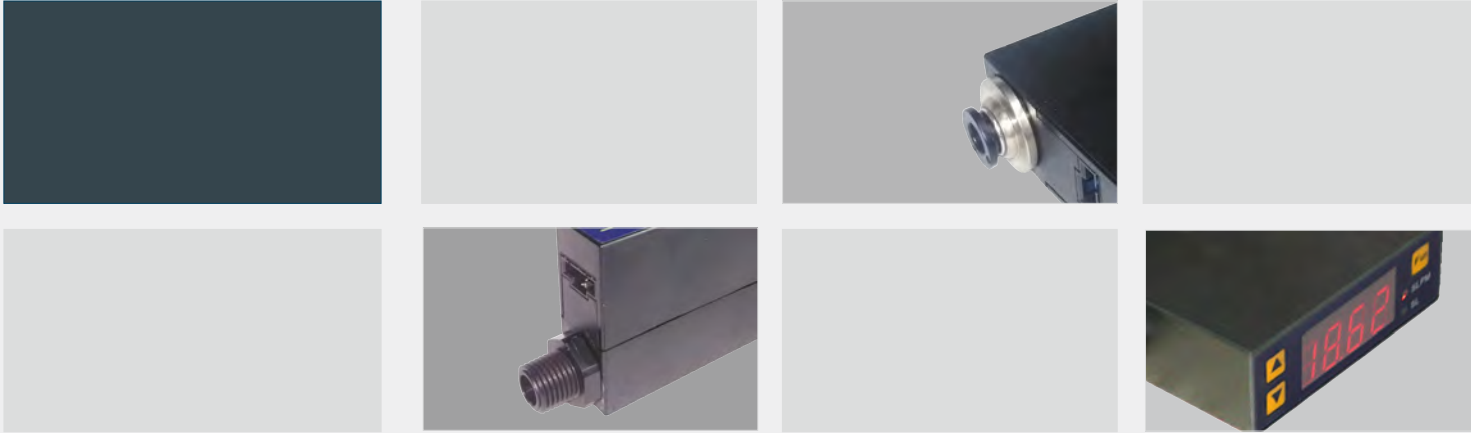




Siargo Ltd.



# Model MF4000

SIARGO MEMS FLOW SENSOR PRODUCTS  
MEMS Mass Flow Meters

VB.3



Länna, S-142 50 SKOGÅS  
Stockholm, Sweden

Ordertel 08-771 00 04  
Orderfax 08-771 62 00

Växel 08-771 02 20  
Teknisk 08-771 35 80

Email info@hemomatik.se  
Internet www.hemomatik.se



© 2013 Siargo Ltd.

# MEMS Mass Flow Meters

MF4000 Series

## User Manual

Document No. 07-2013-4 EN  
Issue date: 2013.07  
Revision: VB.3

### Siargo Ltd.

2041 Mission College Boulevard  
Suite 250  
Santa Clara, CA 95054  
USA

Tel: +1(408)969.0368  
Email: [info@siargo.com](mailto:info@siargo.com)

© Copyright 2013 by Siargo Ltd.

Siargo Ltd. and its subsidiaries reserve the rights to change the specifications and/or descriptions without prior notice. For further information and updates, please visit:  
[www.Siargo.com](http://www.Siargo.com)

# Contents

Features.....	2
Introduction.....	2
Applications.....	2
Working Principle and Package.....	3
Schematic of Electronics .....	3
The Meters .....	4
Specifications.....	4
Description.....	4
Dimensions.....	5
Product Selection.....	5
Installation and User Interface.....	5
Running Mode.....	6
Instant flow rate mode	
Flow accumulation mode	
Maximum / minimum mode	
Menu Setting Mode.....	7
Keyboard lock	
Flow accumulation reset	
Automatic offset calibration	
Response time setting	
Display refresh setting	
Maximum / minimum flow rate record clearing	
System default retrieval	
Decimal setting	
Safety and Maintenance.....	9
Wetted materials and compatibility	
Safety precautions	
Customer Service and Order.....	10
Appendix RS232 Communication Protocol.....	11

# MEMS Mass Flow Meters

## Model MF4000

### Features

- Designed for gas flow in fixed flow channel of 3 mm and 8 mm, with accumulated flow
- Compact design ready for manifold applications
- Fast response time provides solutions for critical applications
- Excellent for electronic meters in anesthesia equipments
- Exchangeable mechanical connectors for easy installation at different applications
- Intrinsic safe enclosure for wide applications
- Low power consumption, can be operated by battery



### Introduction

MF4000 Series mass flow meters are designed for applications in gas flow within a flow channel diameter of 3 mm and 8 mm, respectively. The compact design provides user friendly installation for multiple flow channel sensing requirements. Plastic finishing with an easy change of the mechanical adaptors enables applications with different connection thread requirements or one-touch approach. The meters can be used for electronic meters in anesthesia equipments, environmental samplers and many other industrial applications.

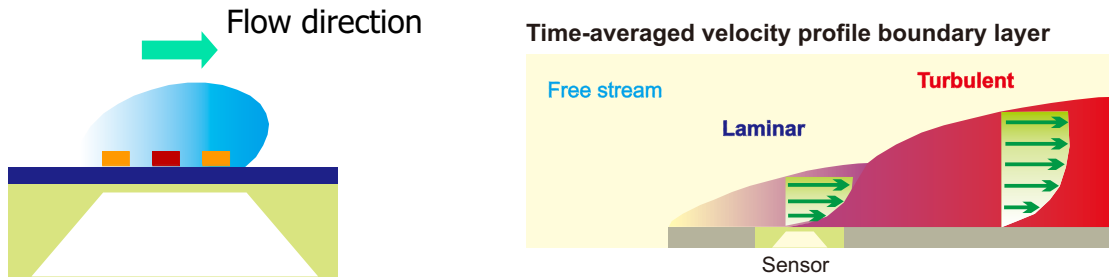
The meters can be customized with flow range, gas specific requirements, user interface and others upon requests to the manufacturer.

### Applications

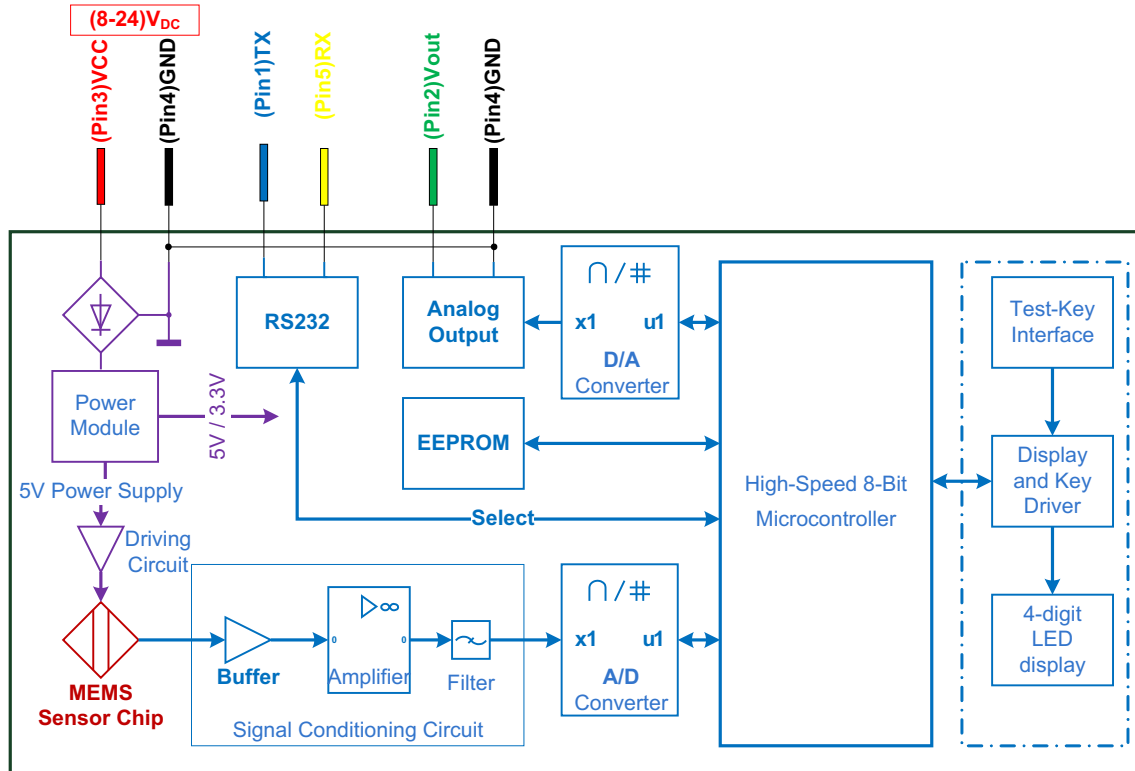
- Environmental Monitoring
- Aeration cable
  - Gas generated plasma monitor
  - Vacuum applications
  - Preservation of oxygen devices
  - Anesthesia
  - Ventilator
  - Ventilation equipment detection devices
  - Other industrial applications such as welding

## Working Principle and Package

The MEMS calorimetric sensor is installed at the flow channel wall forming a plate that serves as an additional flow conditioner from the boundary layer configuration resulting in a laminar flow. The mass flow measurement is established as the fluid carries heat away from the heater causing the redistribution of the temperature field. Accurate flow rate is obtained by calibration with the standard fluid at the preset conditions.



## Schematic of Electronics



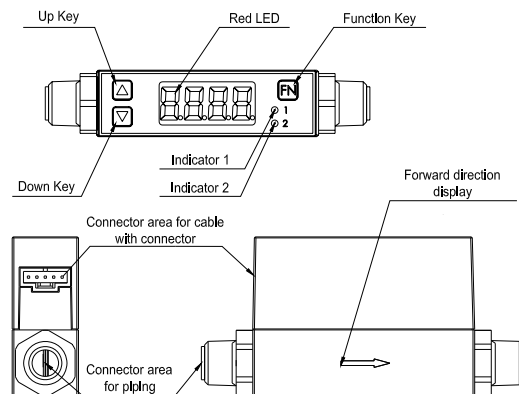
## The Meters

The meters is packaged into the standard poly-carbonate enclosure with which the maximum detectable mass flow rate can be customized within 2 SLPM to 50 SLPM by modification of the circuitry so that the various flow can be achieved to meet customers' best requirements. The calibration is done with air at 20°C and 1 bar pressure. It can nonetheless be calibrated at other customer specific conditions upon requests.

## Specifications

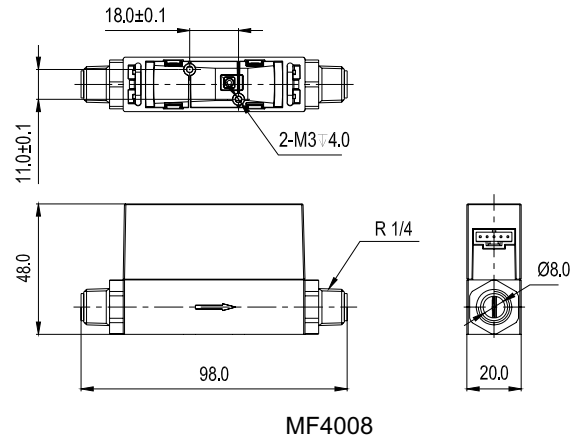
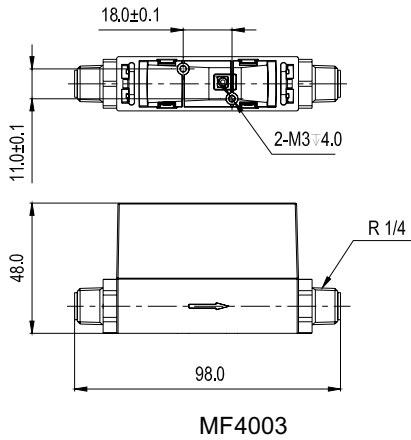
	MF4003	MF4008	
DN	3	8	mm
Flowrate Range	0 ~ 2, 3, 4, 5	0 ~ 10, 20, 30, 40, 50	SLPM
Turn-down	>100:1		
Accuracy	±(1.5+0.2FS)		%
Repeatability	0.25		%
Null Shift	±30		mV
Output Shift	0.12		% / °C
Response Time	100 (Default, 10, 20, 50, 200, 500, 1000 selectable)		ms
Power Supply	8~24Vdc, 50mA		
Output	Linear; RS232 / RS485, Analog 0.5~4.5Vdc		
Display	4-digit, 7-segment LED , 2 Status LED		
Units	Instant flow rate: SLPM; Flow accumulation: SL		
Display Resolution	0.001, 0.01, 0.1 selectable	0.01, 0.1 selectable	SLPM
Pressure Drop	100	600	Pa
Max. Pressure	0.5		MPa
Working Temperature	-10~+55		°C
Storage Temperature	-20~+65		°C
Humidity	<95%RH (No icing or condensation)		%RH
Mechanical Connection	BSPT 1/4 (R 1/4), 4mm / 6mm / 8mm One-touch	BSPT 1/4 (R 1/4)	
Keyboard	3 keys		
Pins Out	5 Pins, NS-TECH CD R-5		
Calibration	Air @ 20°C, 101.325kPa		
Package	Polycarbonate		
Weight	55 (with BSPT 1/4 (R 1/4) connection) 74(with O4,O8 connection), 71(with O6 connection)		g

## Description

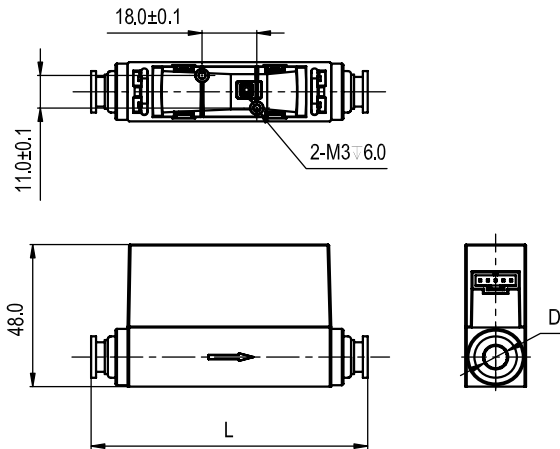


## Dimensions

### For R 1/4 connection

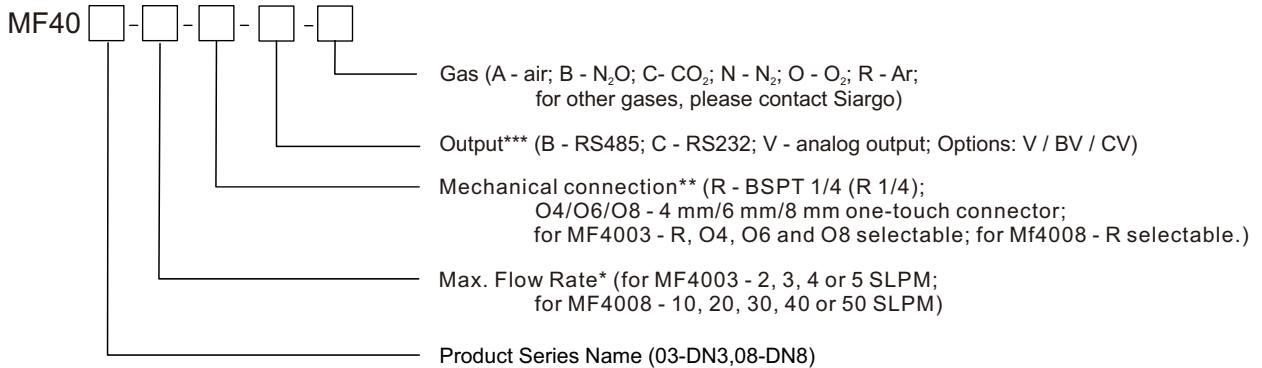


### For One-touch connection



One-touch Connection	L	D
ID=8mm	91.0	Φ8.0
ID=6mm	83.0	Φ6.0
ID=4mm	80.0	Φ4.0

## Product Selection



\* Max. flow rate number only, for example, 5 meaning full scale flow rate of 5 SLPM.

For CO<sub>2</sub> and N<sub>2</sub>O, selectable: 2, 3 or 4 SLPM (without 5 SLPM) for MF4003; 10, 20, 30 or 40 SLPM (without 50 SLPM) for MF4008;

\*\* The meter standard output is analog. Digital outputs are optional.

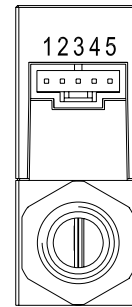
## Installation and User Interface

The product at the time of shipment is fully inspected for product quality and meets all safety requirements. Additional safety measures during the installation should be applied. This includes, but is not limited to leakage verification procedures if applicable, standard ESD (electrostatic discharge) precautions, and DC voltage precautions. Other tasks such as calibration, part replacement, repair, and maintenance must only be performed by trained personnel. Upon requests, manufacturer will provide necessary technical support and/or training of the personnel.

Do not open the product cover or alter any part of the product. Any such actions will forfeit the terms of the warranty and cause the liability to any damages thereafter.

The interface is defined in the table below:

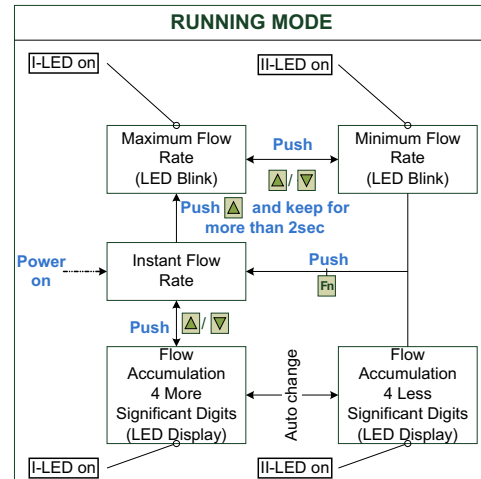
Pin	Colour	Definition
1	Blue	TX, RS232 Transmit (output) / RS485B
2	Green	Vout, Analog output
3	Red	VCC, Power supply (8 - 24 Vdc)
4	Black	GND, Ground
5	Yellow	RX, RS232 Receive (input) / RS485A



**NOTE:** Upon open the package, if any component listed above is missing or any visible mechanical damage is found, please contact supplier or distributors immediately. For additional assistance of installation, please contact supplier or customer service.

## Running Mode

The display consists of a 4-digit LED panel and two LED indicators (i.e., I-LED and II-LED). Under the running mode, the 4-digit LED panel will show Instant flow rate, flow accumulation, or maximum/minimum flow rates. There are three different display modes: instant flow rate mode, flow accumulation mode, and maximum/minimum mode. The two LED indicators will illustrate which display mode is undergoing.



### • Instant flow rate mode

1. This is the default display mode, in which the two LED indicators are off.
2. The instant flow rate is displayed by the 4-digit LED panel with one decimal digit available. The flow rate unit is SLPM.
3. When the flow rate exceeds the maximum allowable flow rate, I-LED will blink.
4. When the flow rate exceeds the minimum allowable flow rate, II-LED will blink.



5. When the flow rate exceeds the maximum displayable reading, both I-LED and II-LED will blink simultaneously, which implies that the reading is incorrect (since the reading has been rounded off to fit the display, although the measurement may still be correct).

•**Flow accumulation mode**

1. In this display mode, the two LED indicators are turned on.
2. The flow accumulation is displayed as an 8-digit numeric number in a time-division scheme. When the first LED indicator (I-LED) turns on, the 4-digit LED panel displays the more significant digits of the flow accumulation. After 1 second, the second LED indicator (II-LED) turns on and the 4-digit LED panel displays the less significant digits of the flow accumulation.
3. The flow accumulation unit is SL. The flow accumulation reading can be reset to zero by a key operation or by switching on/off the power supply.

**NOTE:** The flow accumulation will not be saved after the meter is power off. Hence, the flow accumulation will always start from 0 SL when the meter is power on.

•**Maximum / minimum mode**

1. In this mode, the maximum flow rate and the minimum flow rate (since the last power-on or the last maximum/minimum flow rate resetting) will be displayed.
2. When the maximum flow rate is shown, I-LED will turn on and the 4-digit LED panel will blink.
3. When the minimum flow rate is shown, II-LED will turn on and the 4-digit LED panel will blink.

## **Menu Setting Mode**

Under the menu setting mode, various operations including keyboard lock/unlock, flow accumulation reset, automatic offset calibration, gas selection, response time setting, display refresh setting, maximum/minimum flow rate reset can be performed.

•**Keyboard lock**

1. Prevent unintentional modifications of system parameters.
2. After the keyboard is locked, the user will be unable to perform any other menu settings unless the keyboard is unlocked by the user.

•**Flow accumulation reset**

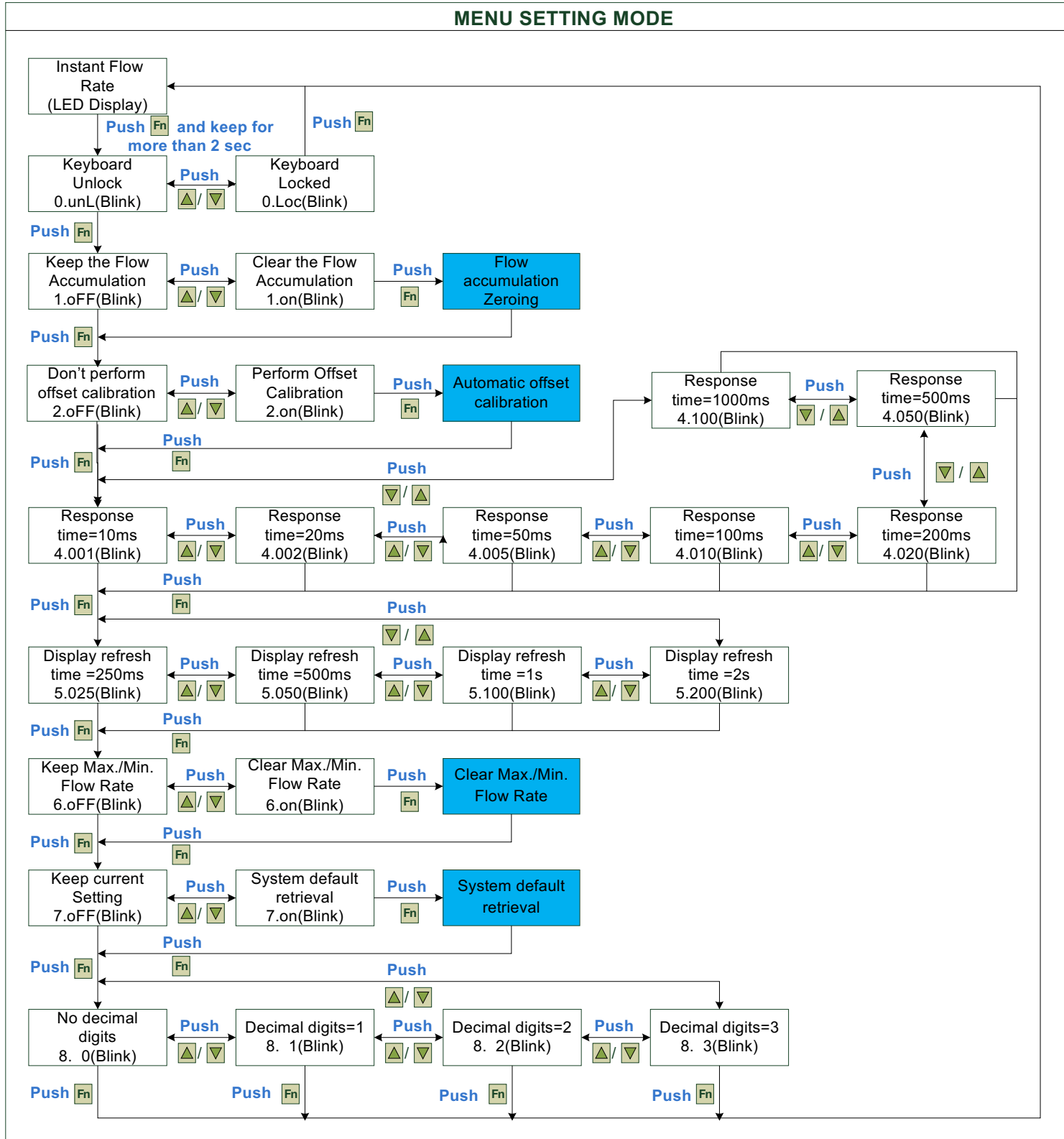
Reset the flow accumulation reading to 0 SL, and the flow accumulation counts re-starting at 0 SL.

•**Automatic offset calibration**

Perform offset calibration, which is used for resolving the possible offset drifting after certain period of operation.

**NOTE:** Before performing automatic offset calibration, please ensure that the gas in the pipe is static, i.e., at zero flow. Otherwise, it may cause inaccuracy during the measurement.

## MENU SETTING MODE



• **Response time setting**

1. Set the response time of the analog output signal;
2. Set the time interval for the digital output signal;
3. After each setting is completed, it is in effect immediately. However, it is stored in the internal EEPROM only when a new menu operation is invoked. If the power is off before a new menu operation is invoked, the setting will be discarded without being stored.

<b>Display</b>	4.001	4.002	4.005	4.010	4.020	4.050	4.100
<b>Response Time</b>	10 ms	20 ms	50 ms	100 ms	200 ms	500 ms	1000 ms

• **Display refresh setting**

1. Set the time interval for the display refresh;
2. After each setting is completed, it is in effect immediately. However, it is stored in the internal EEPROM only when a new menu operation is invoked. If the power is off before a new menu operation is invoked, the setting will be discarded without being stored.

<b>Display</b>	5.025	5.050	5.100	5.200
<b>Refresh Time</b>	250 ms	500 ms	1000 ms	2000 ms

• **Maximum / minimum flow rate record clearing**

1. Reset the maximum/minimum flow rate register, and the maximum/minimum flow rates will be re-starting from the initial state.
2. The maximum/minimum flow rate record will be automatically reset when the meter is power off.

• **System default restore**

Reset all the system parameters to the default values specified in the factory.

• **Decimal setting**

Set the number of decimal digits.

**NOTE:** The maximum number of decimal digits is depended on the maximum flow rate. For example, when the maximum flow rate is 10,20,30,40,50 L/min, the number of decimal digits can be at most 2, e.g., 49.99 L/min.

## Safety and Maintenance

• **Wetted materials and compatibility**

The meter body is made of medical compatible plastics. Sensor comprise of silicon, silicon nitride and silicon dioxide and the sensor surfaces are passivated with silicon nitride and silicon dioxide. The electronic sealing is provided by RTV (room temperature vulcanizing) silicone sealant WR-704 composed of HOCH3 (SiO) nCH3H.

**•Safety precautions**

The product is designed for use with general purpose gases such as air and nitrogen. It is advised that the products are best used for non-explosive clean gases. The sensors cannot be used for gas metrology of fluoride or fluoride containing gases. For updates of the product certification information, please contact manufacturer or visit [www.Siargo.com](http://www.Siargo.com). Use for other gases such as extreme corrosive and toxic may cause the product malfunctioning or even severe damages. The product sealing is ensured to work under working pressure of 0.5 MPa and is leakage proof before the shipment. But cautions and further leakage test are important at installation as well since any leakage could cause severe safety issue. The power supply for this product is 8~24 VDC, all precautions and measures for electrical voltage handling must apply.

**Attention:** Any alternation and/or improper use of the product without the permission of the manufacturer can cause unpredicted damages and even injuries or other severe situations. Siargo Ltd or any of its employees, subsidiaries shall not be hold and indemnified against such consequences due to such circumstances via improper use of the product.

All maintenance of the meter should be done by trained and certified personnel by Siargo, Ltd. products.

## Customer Service and Order

**Siargo Ltd.**

2041 Mission College Blvd, Ste 250, Santa Clara, California 95054 USA, [info@Siargo.com](mailto:info@Siargo.com); +01(408)969-0368

In Japan, please contact

**Marubeni Information Systems Co., Ltd.**

Device Solutions Department, 3-12-18 Shibuya, Shibuya-ku, Tokyo 150-0002; +81-3-5778-8661

[Siargo@Marubeni-sys.com](mailto:Siargo@Marubeni-sys.com)

## Appendix RS232 Communication Protocol

### • Serial Port Settings

PROPERTIES		RS232	RS485	
Physical interface		TIA/EIA-232-E	TIA/EIA-485-A	
Transmission cable		3-core shielded cable		
Cable length		≤ 3m	≤ 1200m	
Communication interface		UART, Half-duplex		
Data link protocol		point to point	point to point; point to multiple	
Port Setting	Baud rate (Bits per second)	38400 bps		
	Data bits	8 bits		
	Parity	Frame_header	1 bit Mark	
		Others	1 bit Space	
	Stop bits	1 bit		
	Flow control	None		
Error checking method		XOR		

### • Protocol Structure

This protocol includes three working layers: physical layer, data link layer, and user layer.

#### Physical layer protocol

Every byte contains 11bits, which is defined as follows:

#### Start\_bit D0 D1 D2 D3 D4 D5 D6 D7 D8 Stop\_bit

a) Start\_bit:

1bit, a logic low;

b) Data bits (D0~D7):

8 bits, representing the data byte under transmission, which is ordered from the least-significant digit to the most-significant digit;

c) Frame\_header flag (D8):

1bit, a flag to indicate whether the data byte under transmission is a type of datum or frame\_header.

\* When transmitting a frame\_header (or address) from master, D8 must be set to 1. When transmitting another datum (such as command code, data length, data segment, checksum or frame\_end), D8 can be set to 0 or 1. We suggest customer set D8 to 0, when transmitting other datum;

\* For the byte sent from MF4000, D8 is always 0;

d) Stop\_bit:

1bit, a logic high.

#### Data link layer protocol

Both the master and slave (MF4000) have the same

frame format, each byte of which is hexadecimal (non-ASCII code). Specifically, the frame format is defined as below:

Frame_header	1 byte
Command code	1 byte
Length	1 byte
Data	Variable-length
Checksum	1 byte
Frame_end	1 byte

a) Frame\_header:

For RS-232, this frame header is a constant byte: 0x9D, representing the start of a data frame.

For RS-485, this frame header is the address of the slave under query (i.e., the slave device to whom the data is sent). If the slave responds, the slave will need to return its own slave address. The allowable slave address code is an integer between 1~128. When this frame header is set to 0, it is in the broadcast mode, in which all the slave devices will be in effective to accept the data but not be allowed to return their addresses after receiving the data.

b) Command code:

The command code, an integer between 0 and 255 excepting 0x9D, defined in the User Layer to achieve various functionality.

c) Length:

The length of the data, an integer between 0 and 102 depending on the command code. If the command code has no data, the length should be 0. If the MF4000 unit detects the length larger than 102, the MF4000 unit will not send any response;

d) Data:

The body of the data, whose length varies depending on the command code. If the command code has no data, the length should be 0;

e) Checksum:

XOR;

f) Frame\_end:

0x0D;

g) Overtime

1sec. This is to prevent MF4000 from running into a deadlock because of the master failures or communication failures. When MF4000 receives a correct byte, a timer will begin. If MF4000 does not receive other correct byte within 1sec, it will interrupt the communication and prepare to receive next byte. The interval time from MF4000 to the master is less than 10msec (which can be used for the master to judge the overtime).

# Appendix RS232 Communication Protocol

## User layer protocol

<b>Command Code</b>	F0	Read instant flow rate
<b>Master query</b>	9D F0 01 08 CRC 0D	
<b>MF4000 response</b>	9D F0 03 FRH FRM FRL CRC 0D	
<b>Description</b>	3 bytes. FR (Instant flow rate) = (FRH * 65536 + FRM * 256 + FRL) / 1000 ; Unit: SLPm, Decimal digits: 3.	
<b>Command Code</b>	FF	Read the sensor series number
<b>Master query</b>	9D FF 00 CRC 0D	
<b>Mf4000 response</b>	9D FF 0C SN1 SN2 SN3 SN4 SN5 SN6 SN7 SN8 SN9 SN10 SN11 SN12 CRC 0D	
<b>Description</b>	12 bytes. It is the series number of the sensor made up of 12 ASCII characters.	
<b>Command Code</b>	02	Change the response time
<b>Master query</b>	9D 02 02 RTH RTL CRC 0D	
<b>MF4000 response</b>	9D 02 01 STATE CRC 0D	
<b>Description</b>	1 byte. Unit: msec. RT ( response time ) = RTH * 256 + RTL ; Selectable: 10, 50, 100, 200, 500 and 1000. STATE: if the operation is successful, STATE = 1, otherwise STATE = 0.	
<b>Command Code</b>	03	Change the GDCF of the sensors
<b>Master query</b>	9D 03 02 GDCFH GDCFL CRC 0D	
<b>MF4000 response</b>	9D 03 01 STATE CRC 0D	
<b>Description</b>	1 byte. GDCF = GDCFH * 256 + GDCFL. STATE: if the operation is successful, STATE = 1, otherwise STATE = 0.	
<b>Command Code</b>	72	Calibrate sensor offset (Auto)
<b>Master query</b>	9D 72 01 55 CRC 0D	
<b>MF4000 response</b>	9D 72 02 OFFSETH OFFSETL CRC 0D	
<b>Description</b>	2 bytes. Ensure there is no flow in the sensor pipe during calibrating offset. Offset = OFFSETH * 256 + OFFSETL. The normal range is from -32767 to +32767.	
<b>Command Code</b>	78	Reset all the parameters to default.
<b>Master query</b>	9D 78 01 55 CRC 0D	
<b>MF4000 response</b>	9D 78 01 STATE CRC 0D	
<b>Description</b>	1 byte. Reset all the parameters to default (Automatic) 1, Reset the default response time (10msec); 2, Reset the default GDCF (1000); 3, Reset the default offset.	

<b>Command Code</b>	82	Read the response time
<b>Master query</b>	9D 82 00 CRC 0D	
<b>MF4000 response</b>	9D 82 02 RTH RTL CRC 0D	
<b>Description</b>	2 bytes. RT ( response time ) = RTH * 256 + RTL ;	
<b>Command Code</b>	83	Read GDCF
<b>Master query</b>	9D 83 00 CRC 0D	
<b>MF4000 response</b>	9D 83 02 GDCFH GDCFL CRC 0D	
<b>Description</b>	2 bytes. GDCF = GDCFH * 256 + GDCFL.	

### • Flow chart (master to MF4000)

